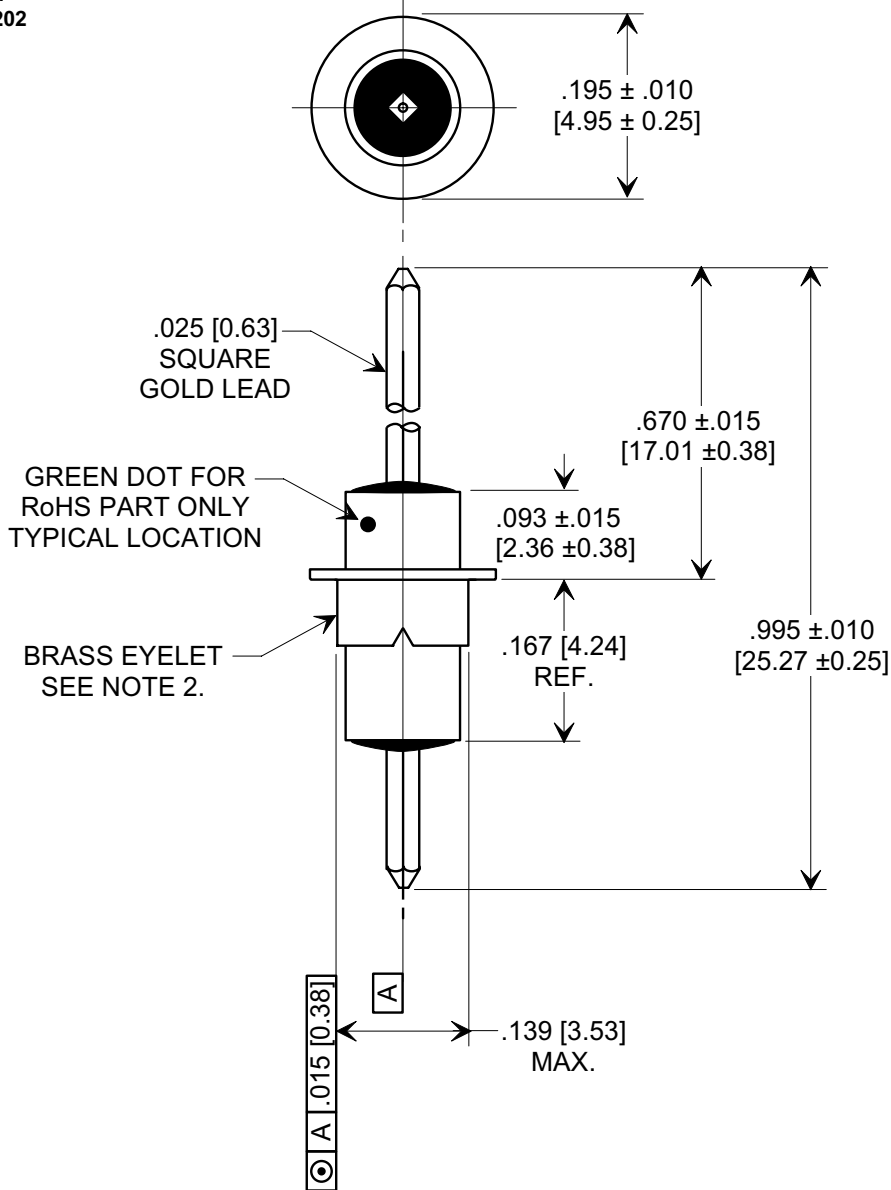
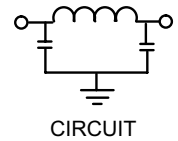
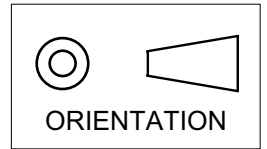


MARKETING SALES DRAWING
DIMENSIONS IN INCHES - DO NOT SCALE THIS DRAWING
DIMENSIONS IN METRIC - []

Electrical Testing
per Tusonix standard
test plans and Mil-Std-202
Test Methods.



NOTES:

- TUSONIX STANDARD PART NUMBER: 4101-067.
TUSONIX RoHS COMPLIANT PART NUMBER: 4101-067 LF.
CUSTOMER MUST SPECIFY STANDARD OR RoHS PART NUMBER WHEN ORDERING.
- EYELET FINISH: STANDARD PART NO.: 60/40 SOLDER PLATED. RoHS PART NO. SILVER PLATED.
- PART MARKING: STANDARD PART: NO MARKING. RoHS PART: GREEN DOT.

MIN. CAP. (pF)	WORKING VOLTAGE (VVdc)		I.R. MIN. @ 100 (VDC.)	DWV (VDC)	CURRENT ldc. (A)	MINIMUM NO LOAD INSERTION LOSS (dB) AT 25°C PER MIL-STD-220			
	85°C	125°C				10 MHz	100 MHz	1 GHz	10 GHz
1750	250	125	10 G Ω	500	10	5	50	60	60

X-2015 Rev-0	REVISION RECORD				--TOLERANCES-- Unless Otherwise Specified	Title	
	Original Release C.O.	WAS SK8150-000. S.M.05-19-03	0			EYELET STYLE EMI FILTER	
	ADDED NOTES. S.M. 09-16-05		20030519-3-01	1	DECIMAL ± .031 [0.79]	Drawn S.M. 04-07-03	Scale 5 X
	RE-SCALE LEAD DIM. REVISED L.E. 03-29-06		20050829-1-31	2	ANGLES ±	Approved T.C. 04-07-03	
		20060321-502			TUSONIX TUCSON, ARIZONA	A	4101-067